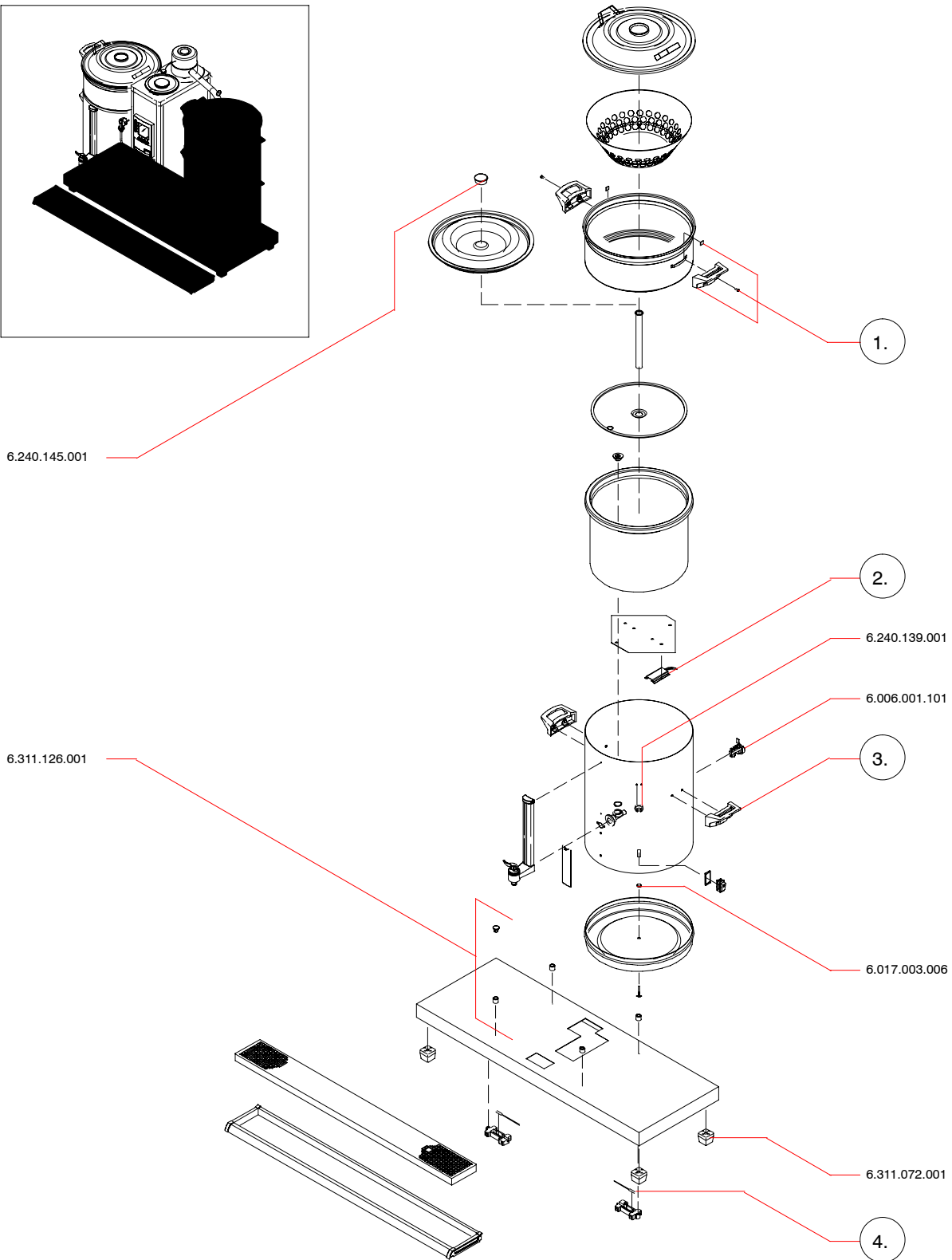
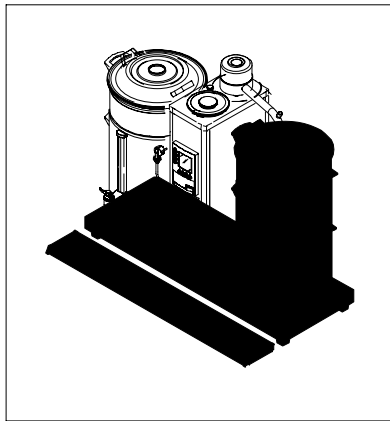


B / B HW / V(H)G (T/D) / NAK (2000 -->)



		VHG 5	VHG 10	VHG 20	VHG 40
1.	STD	6.311.094.001	6.242.198.001	6.243.233.001	6.248.133.001
2.	STD	6.240.147.000	6.242.206.000	6.243.243.000	6.248.139.000
3.	STD		6.242.198.001	6.243.233.001	6.248.133.001

		B5	B5 HW	B10	B10 HW	B20	B20 HW	B40
4.	STD	6.311.118.000	6.311.118.000	6.206.630.000	6.206.630.000	6.206.630.000	6.206.630.000	6.206.630.000